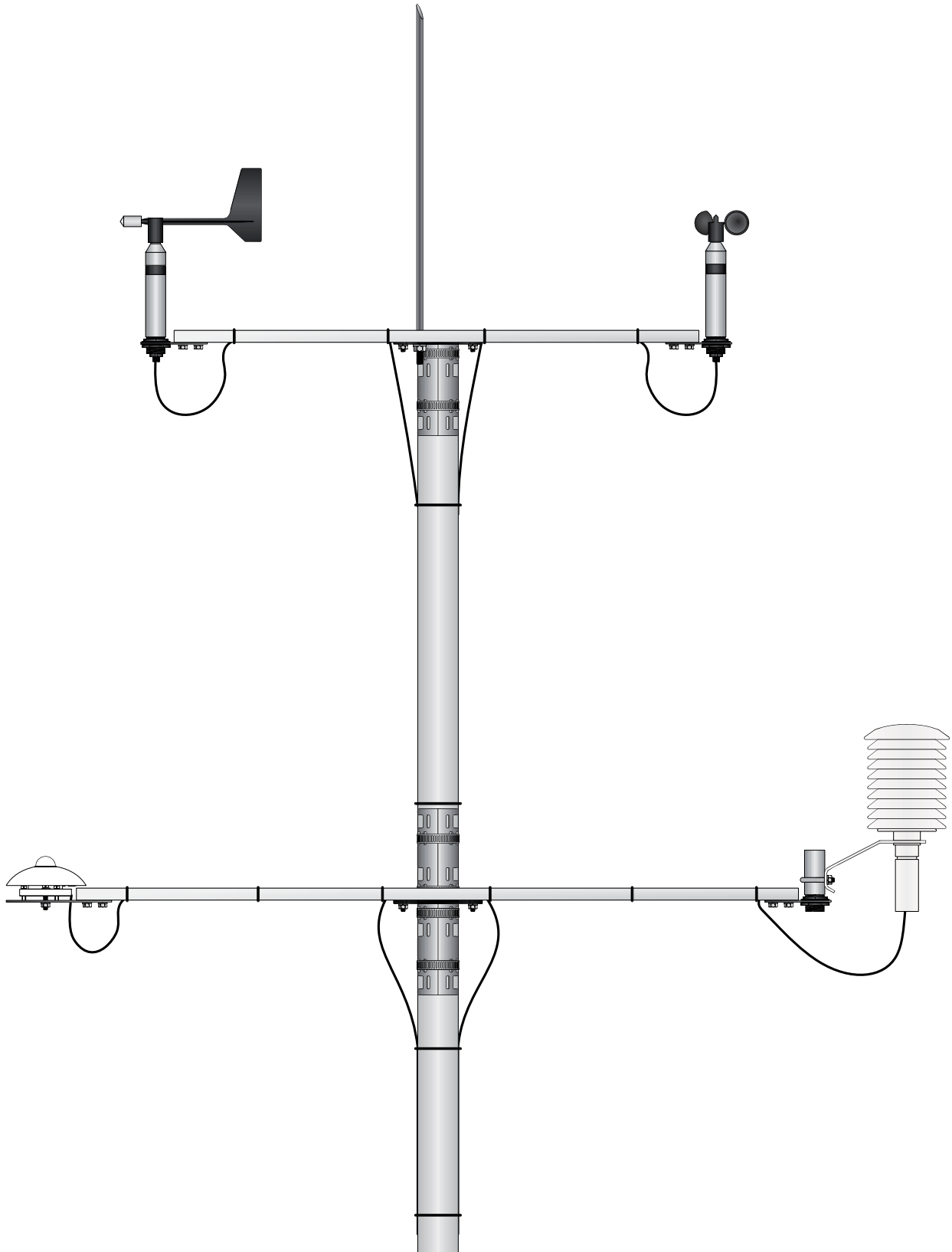




Traverse System





Contents

- ▶ Preparation of the traverse for mounting
- ▶ Mounting of the sensor fixation
- ▶ Preparation of the tightening straps and spanner nuts
- ▶ Mounting of the mast fixation at the mast
- ▶ Installation of the lightning rod (option)
- ▶ Mounting of the prepared traverse
- ▶ Fixing the sensor cables

Required tools

- Box wrench/open-end spanner or box spanner
 - o SW7 Spanner nut (optional slot 6.5 x 1.2)
 - o SW10 Hexagon head screw (adapter radiation)
 - o SW13 Nut (mast fixation), hexagon head screw (adapter radiation), hexagon head screw (adapter wind)
 - o SW17 Nut (lightning protection)
 - o SW36 Nut (adapter radiation)
- Hexagon socket wrench
 - o SW4 Grub screw (traverse)
- Metal shears tightening strap

Eventually further tools for the mounting of the sensors will be needed. For more information please have a look at the operating instructions of the appropriate sensors.



Because the installation takes place in a dangerous height, the assembly personal must follow the rules for prevention of accidents.

Required accessory

- Cable binder

Mast fixation

The bores B1 to B4 of the mast fixation are for mounting of a traverse or single sensor adapter. Bores B5 and B6 are for mounting of an optional lightning rod.

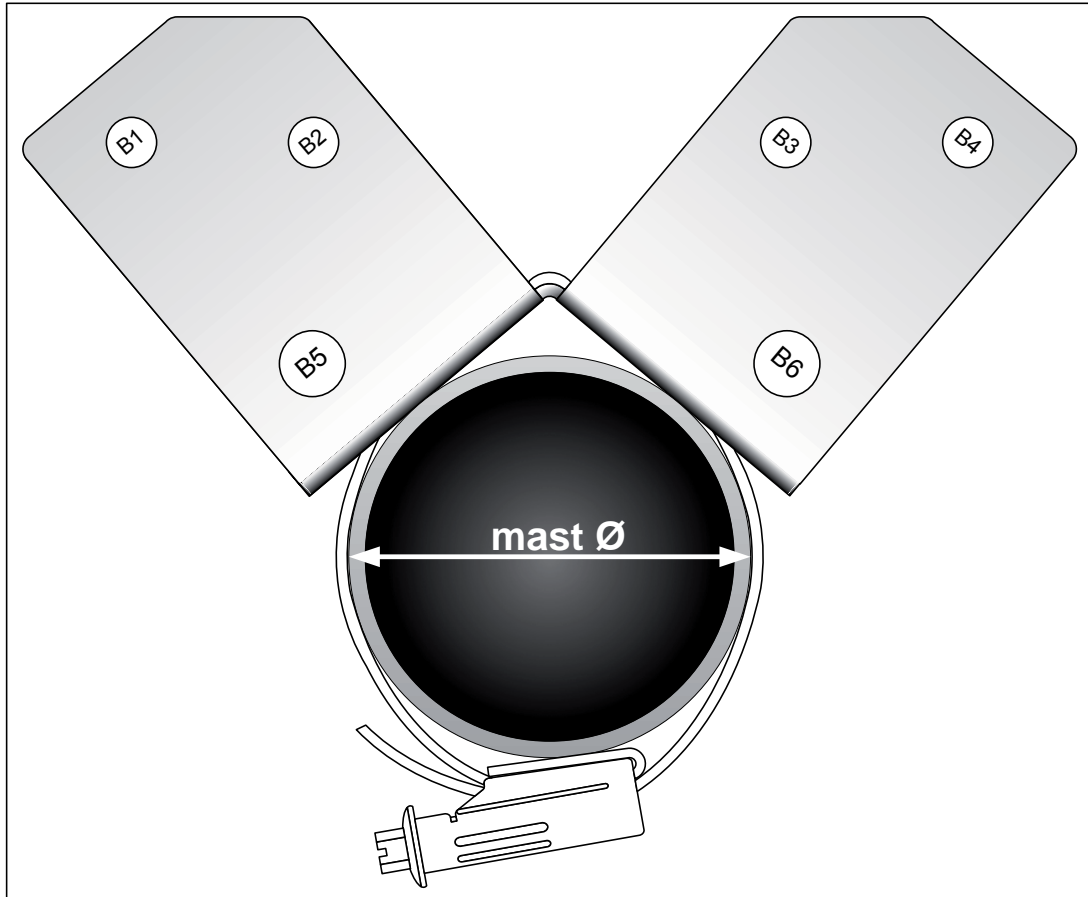


Fig. 1

Preparation of the traverse for mounting

For mounting the traverse at the mast fixation use bores B1 and B4 (see fig. 1). Mount the grub screws and slot nuts as shown in fig. 2. Insert the slot nuts and slightly screw the grub screws into the slot nuts. Align the grub screws at the bores of the mast fixation and fix them by tighten them firmly.

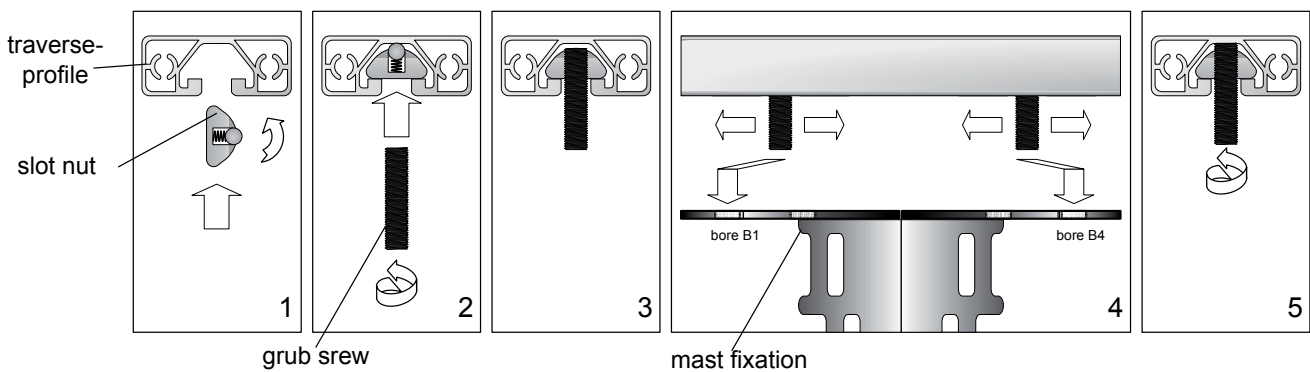


Fig. 2

Mounting of the sensor fixation

Depending on the sensors that have to be installed different sensor fixations can be mounted. When inserting the slot nuts care must be taken to arrange the M8 threaded holes by pairs in line with the end of the traverse.

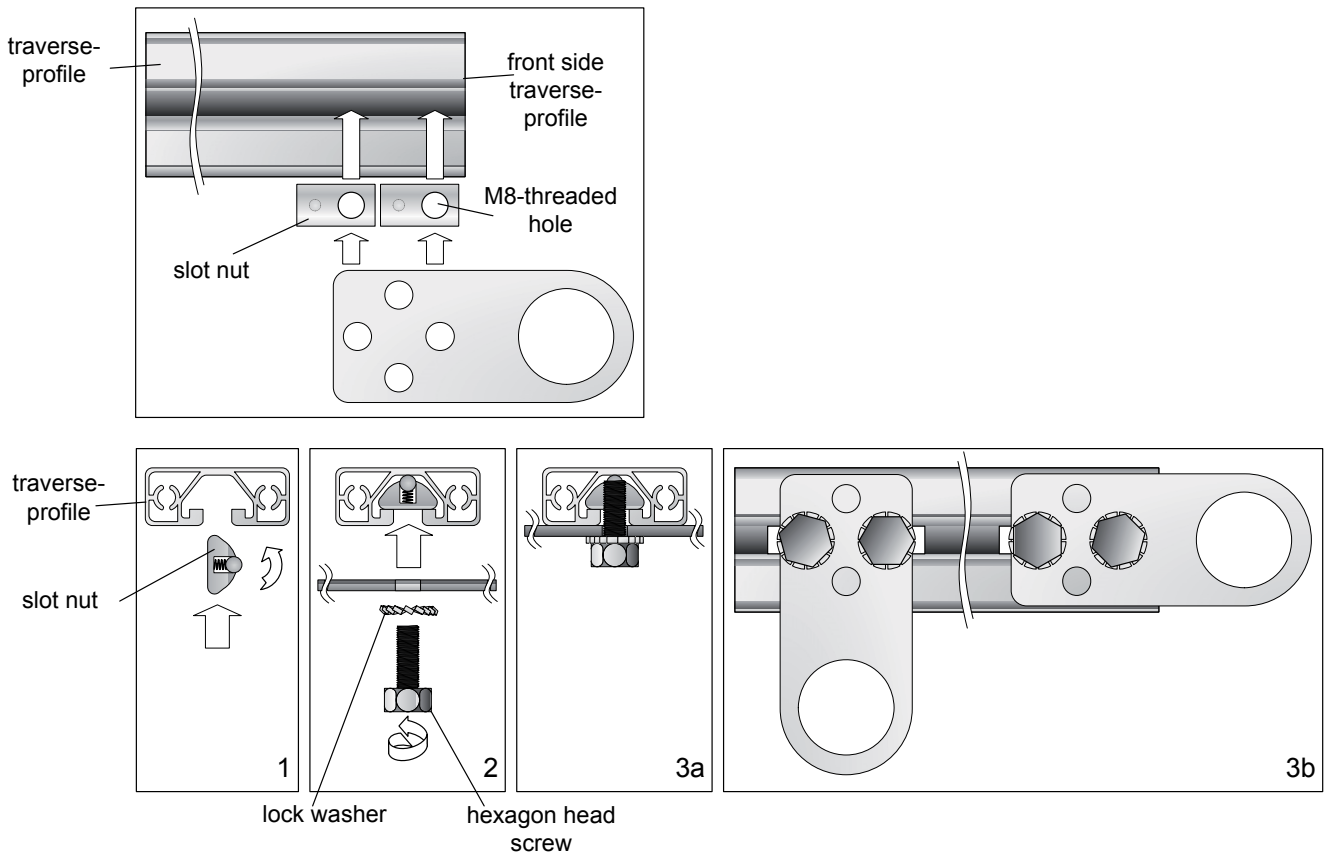
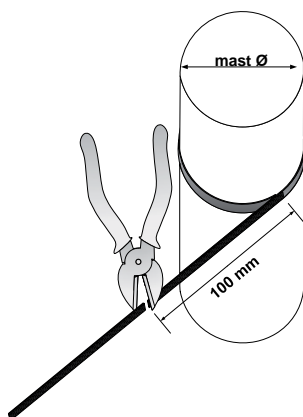


Fig. 3

Preparing tightening straps and spanner nuts

After having completed the traverse for mounting prepare two tightening straps and spanner nuts for mounting of the mast fixation. We recommend turning the tightening strap around the mast and shorten it to the appropriate length plus 100 mm. Please cut it parallel to the embossing.



Mast Ø	Tightening strap length
50 mm	260 mm
60 mm	300 mm
80 mm	360 mm
90 mm	400 mm
100 mm	440 mm
120 mm	500 mm

Table: Recommended tightening strap length depending on the mast diameter

Lead one end of the shortened tightening straps through the spanner nut so that it protrudes for about 2 - 3.5 cm. Afterwards bend the end of the tightening straps until it lies on the surface of the spanner nut (fig. 4).

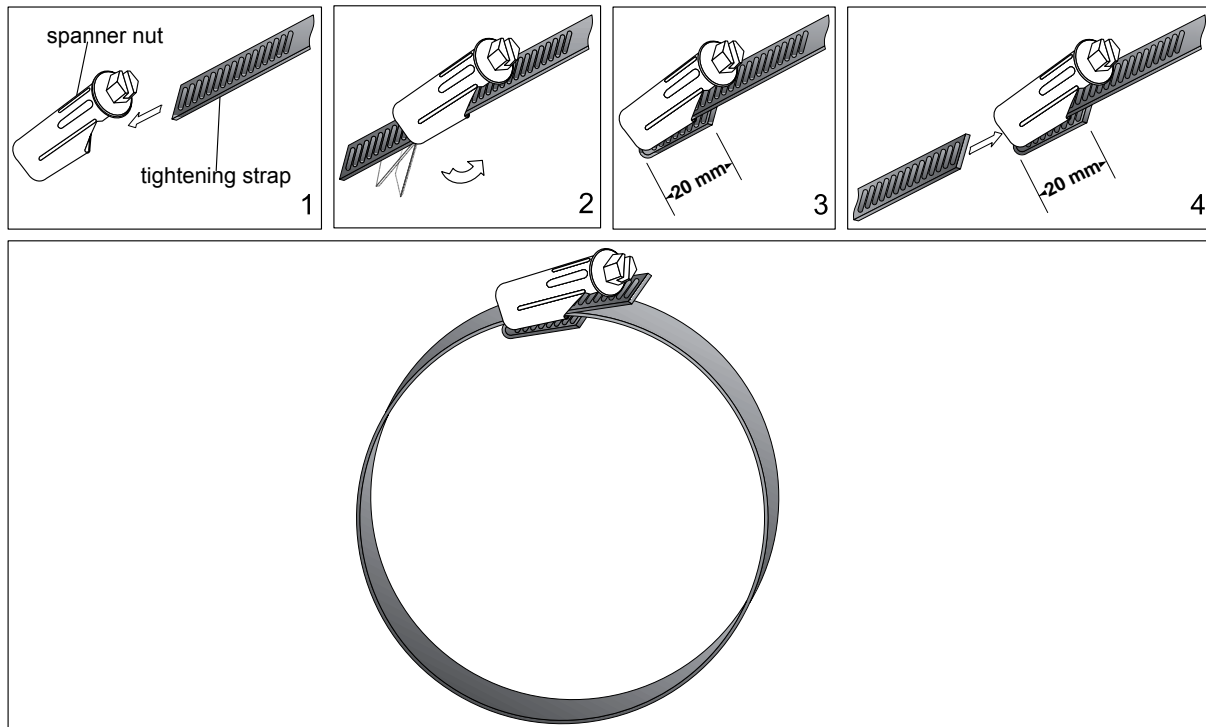


Fig. 4

Mounting of the mast fixation at the mast

Hold the mast fixation to the desired position of the mast in order to choose the right cutout for the check rail of the tightening straps. As a result you get a good transition between mast, mast fixation and tightening straps (see fig. 5). Use the prepared tightening straps and spanner nuts for mounting.

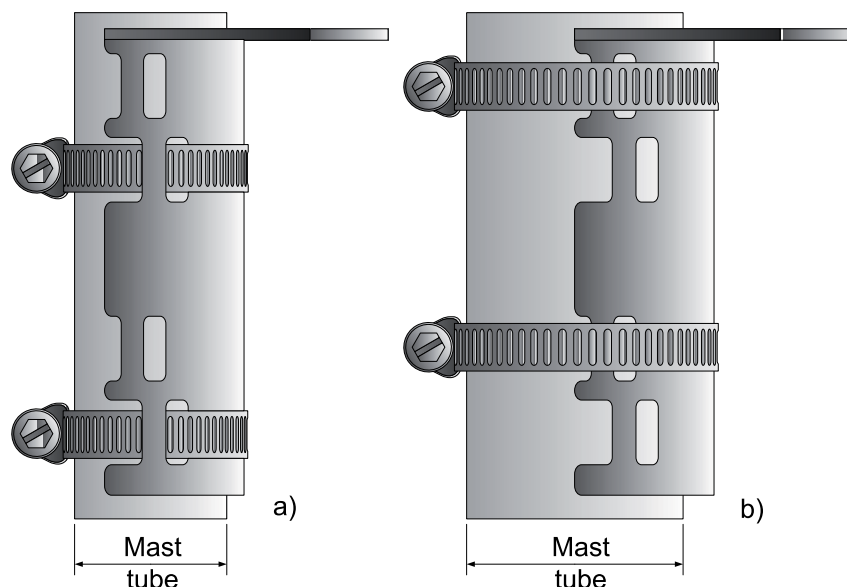


Fig. 5

Pass the tightening straps around the mast fixation and tighten them at the backside with the spanner nut.

Installation of the lightning rod

If the lightning rod should be installed we recommend to install it as first after mounting the mast fixation, before mounting the traverse. Use one of the bores B5 or B6 for mounting (see fig. 1 and fig. 6).

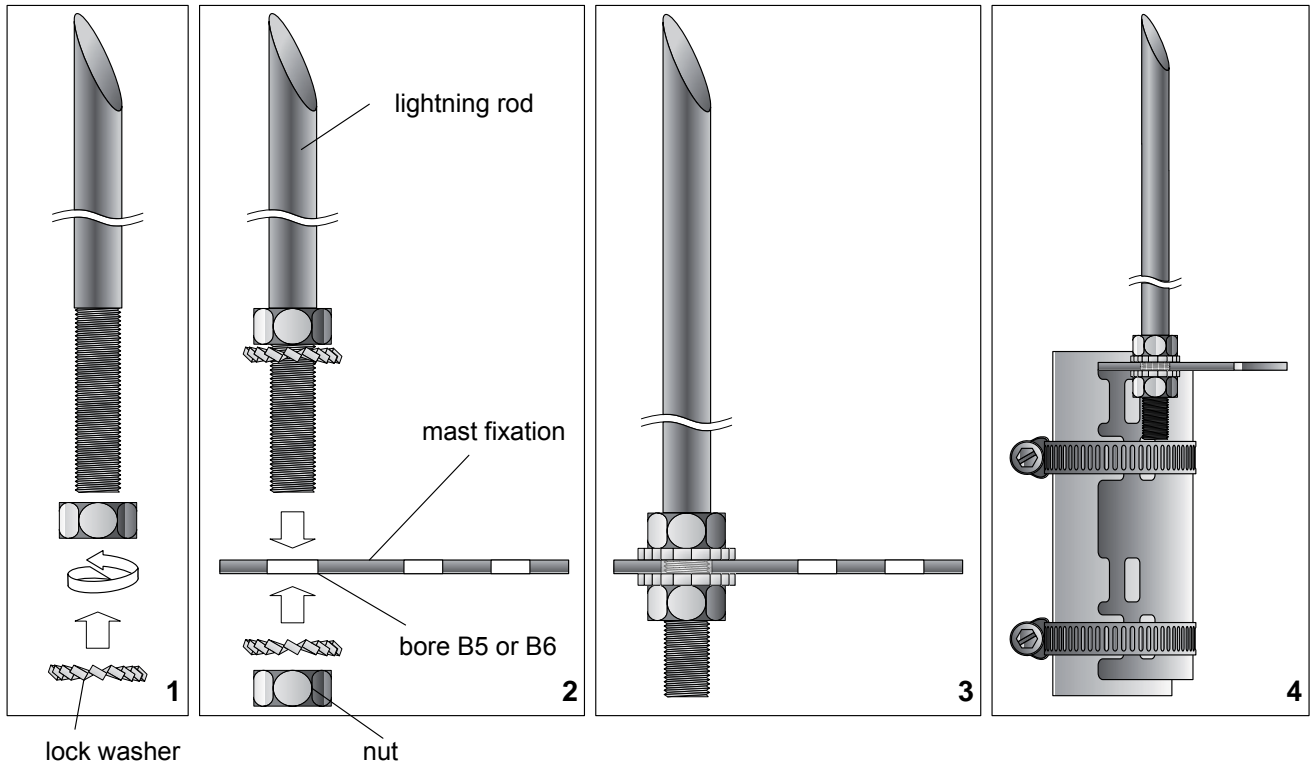


Fig. 6

Mounting of the prepared traverse

Afterwards the prepared traverse can be mounted at the mast fixation.

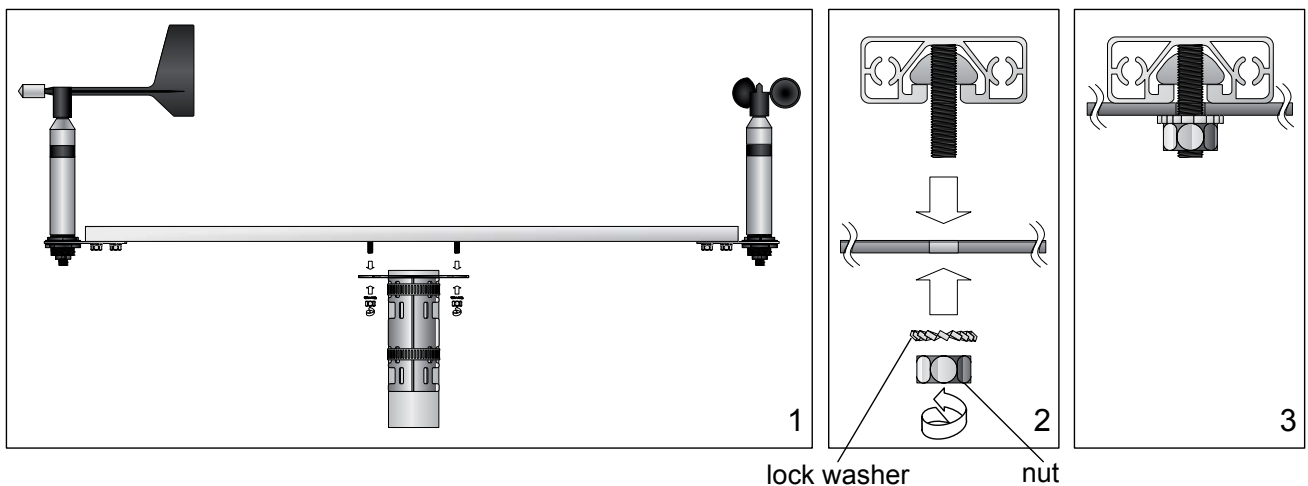


Fig. 7

Fixing the sensor cables

In the end lead all the cables within the traverse to the mast and fix them with cable binder.

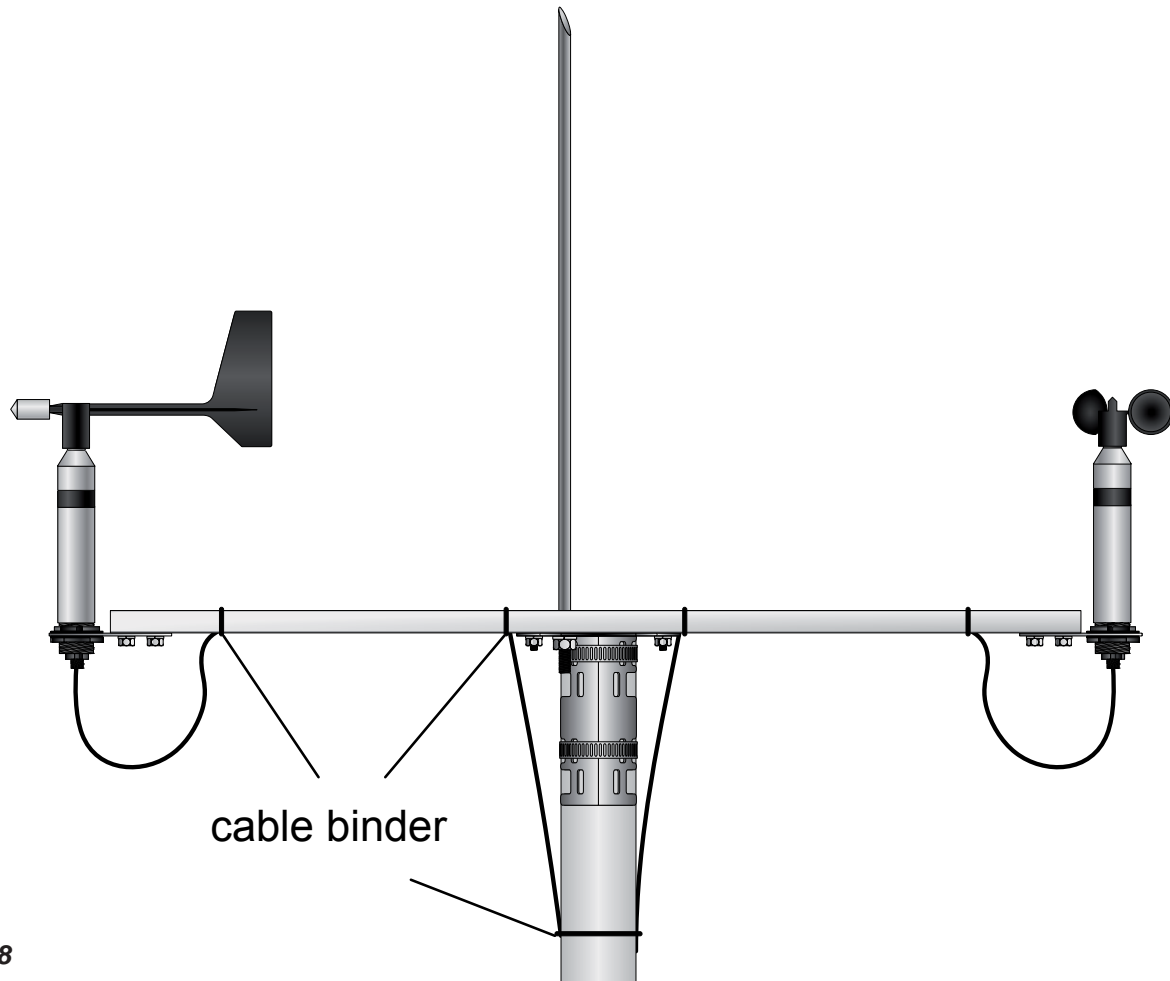


Fig. 8

Please note the loss of warranty and non-liability by unauthorised manipulation of the system. You need a written permission of the Wilh. Lambrecht GmbH for changes of system components. These activities must be operated by a qualified technician.

The warranty does not cover:

1. Mechanical damages caused by external impacts (e. g. icefall, rockfall, vandalism).
2. Impacts or damages caused by over-voltages or electromagnetic fields which are beyond the standards and specifications in the technical data.
3. Damages caused by improper handling, e. g. by wrong tools, incorrect installation, incorrect electrical installation (false polarity) etc.
4. Damages which are caused by using the device beyond the specified operation conditions.



Components

32.14627.001000	Set Mast fixation	consisting of: 1 Mast fixation 1 m Tightening strap stainless steel 2 Spanner nuts 2 Grub screws M 8 x 30 DIN 913 2 Lock washer 8.4 2 Slot nuts M8 2 Nuts M8
33.14627.001010	Traverse 0.75 m	
33.14627.001000	Traverse 1 m further lengths on request	
32.14627.007000	2 Covering caps for traverse	
32.14627.002000	Set Sensor fixation Round (e. g. for wind sensors type INDUSTRY)	consisting of: 1 Holding fixture with 30 mm-bore 2 Screws M 8 x 16 DIN 933 2 Lock washer 8.4 2 Slot nuts M8
32.14627.003000	Set Sensor fixation Big (e. g. for Pyranometer)	consisting of: 1 Holding fixture big 2 Screws M 8 x 16 DIN 933 2 Lock washer 8.4 2 Slot nuts M8
32.14627.004000	Set Fastening spigot (Sensor shelter)	1 Fastening spigot 2 Plastic nuts PG21
32.14627.005000	Set Fastening Sunshine duration	1 Fastening spigot (Sunshine duration) 2 Plastic nuts PG21 1 Lock washer 6.4 1 Screw M 6 x 20 DIN 933
32.14565.019000	Lightning rod	1 Lightning rod 2 Lock washer 10.4 2 Nuts M10



Quality System certified by DQS according to
DIN EN ISO 9001:2008 Reg. No. 003748 QM08

Subject to change without notice.

14627_de.indd

14.16