



DURAN[®]
electrónica

www.duranelectronica.com

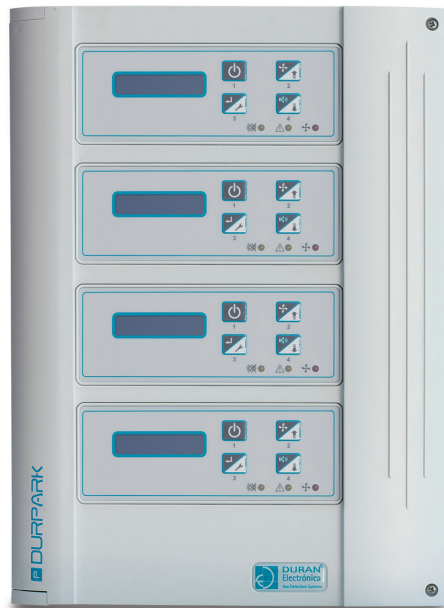


FS82426



Presentation
DURPARK

CO & NO₂ DETECTION IN UNDERGROUND CAR PARKS & GARAGES



 **DURPARK**

DURPARK Mini

CONTROL UNIT

CONFIGURATIONS

CONNECTIONS

DETECTORS

- Expandable from one to four module lines, totally independent.
- A non expandable DURPARK Mini version of one module line, is available.
- Simultaneous detection of CO & NO₂ in the same loop.
- 16 addressable detectors per module line, with possibility of programming up to 2 groups, with independent actuating levels.
- CO detectors cover areas up to 12.800m² (according to current Spanish regulations).
- Each detector is individually monitorized, showing its state in real time.
- Detectors can be put in test mode, so they will not trigger a maneuver if they are faulty or lacking maintenance.
- Programmed according to Spanish or Portuguese standards and allows selecting spanish, portuguese, french and english languages (depending on software version).
- Two voltage free relay outputs, for actuating and one for alarm, individual per module line, plus one general fault output.
- Every module line has a capacity to memorize 14 different event types, up to a total of 999 of each type.
- Special line test that checks the status, quantity and type of detectors connected.
- Independent access to user and engineer menus, password protected.

CONTROL UNIT

CONFIGURATIONS

CONNECTIONS

DETECTORS

DISPLAY INFORMATION IN ON MODE

GROUP NUMBER
INFORMATION,
GR1 OR GR2

GAS ASSIGNED TO
GROUP,
CO OR NO₂

LOCKED KEYPAD
SYMBOL

INFORMATION OF VENTILATION
STATUS PER GROUP. AUTO-STOP-
MANUAL-VENT-1 VENT.2 OR MAX
ALTERNATING ONLY WHEN THE
READING MODE IS PROGRAMMED TO
MAXIMUMS READING MODE

GR1

CO

#

AUTO

D01

000PPM

Nve1

NUMBER OF
DETECTOR,
FROM 01 TO 16

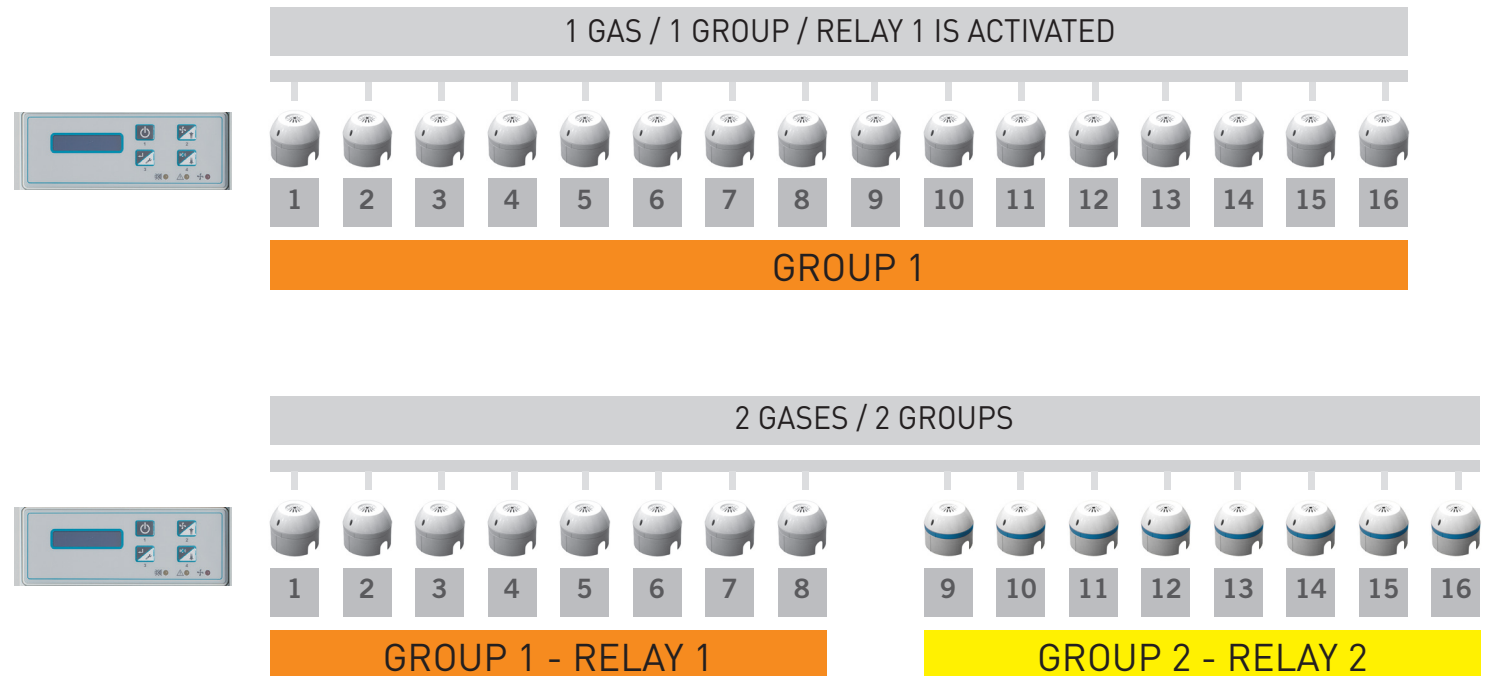
DETECTOR
CONCENTRATION IN
PPM AND AUXILIARY
MESSAGES, ERROR-
SATURATION

INFORMATION OF THE ACTIVATION
LEVELS REACHED
LV1-LV2-NA-INH

MODULE LINE CONFIGURATIONS: SPANISH STANDARD

Each module line can be divided into 1 or 2 groups/gases (each one provided of 1 actuation relay) controlling 1 or 2 actuating levels independently.

Each group can only include detectors for the same gas.



CONTROL UNIT

CONFIGURATIONS

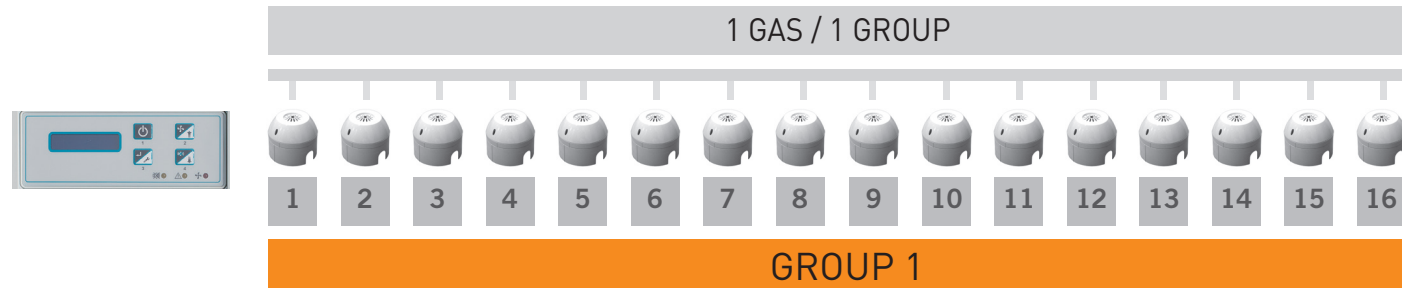
CONNECTIONS

DETECTORS

MODULE LINE CONFIGURATIONS: PORTUGUESE STANDARD

Each module line can control 1 gas/ 1 group (CO or NO₂).

POSSIBLE MODULE LINE CONFIGURATIONS



Activates relay 1 for 1st speed ventilation
Activates relay 2 for 2nd speed ventilation

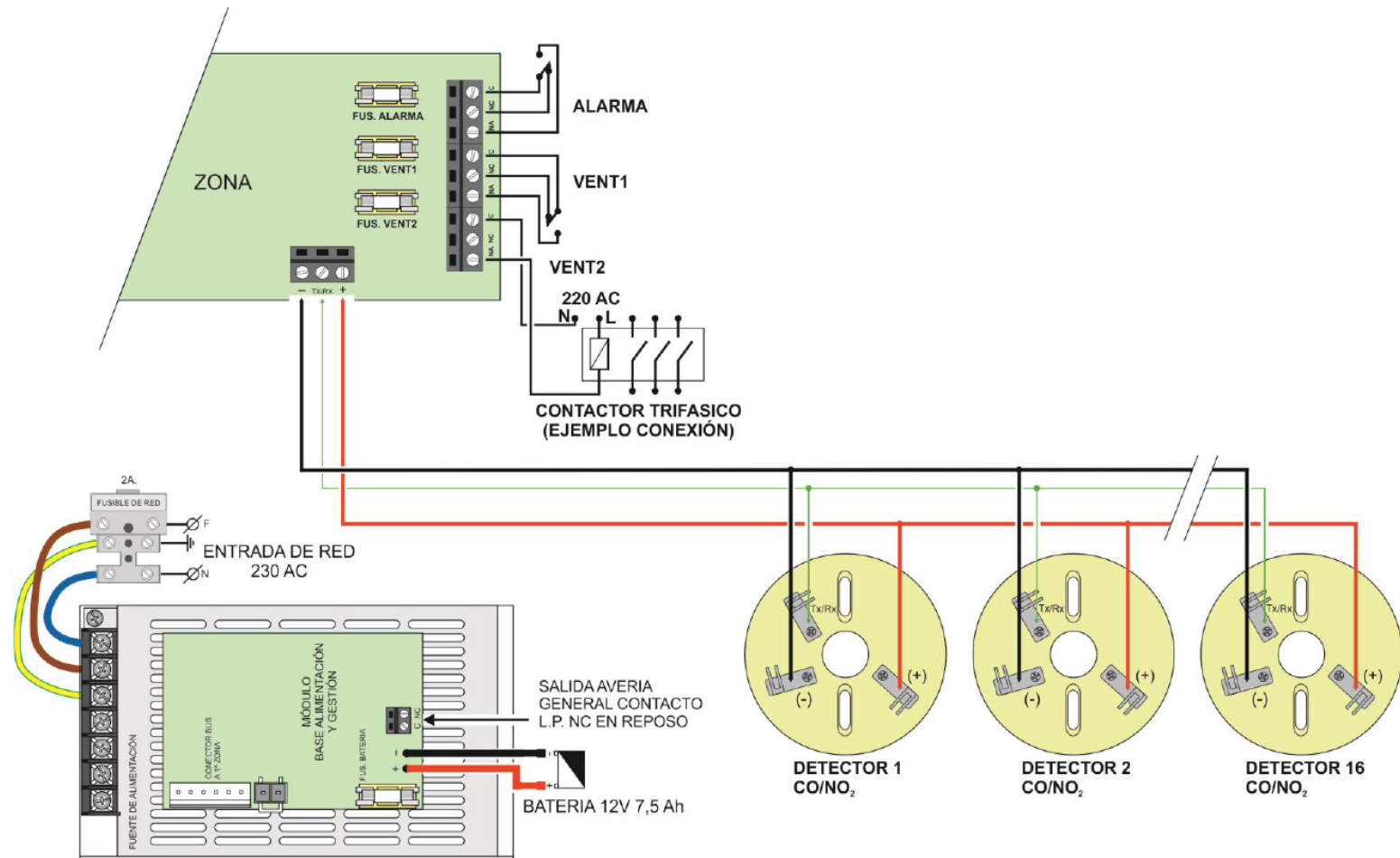
DURPARK CONTROL UNIT CONNECTIONS

CONTROL UNIT

CONFIGURATIONS

CONNECTIONS

DETECTORS



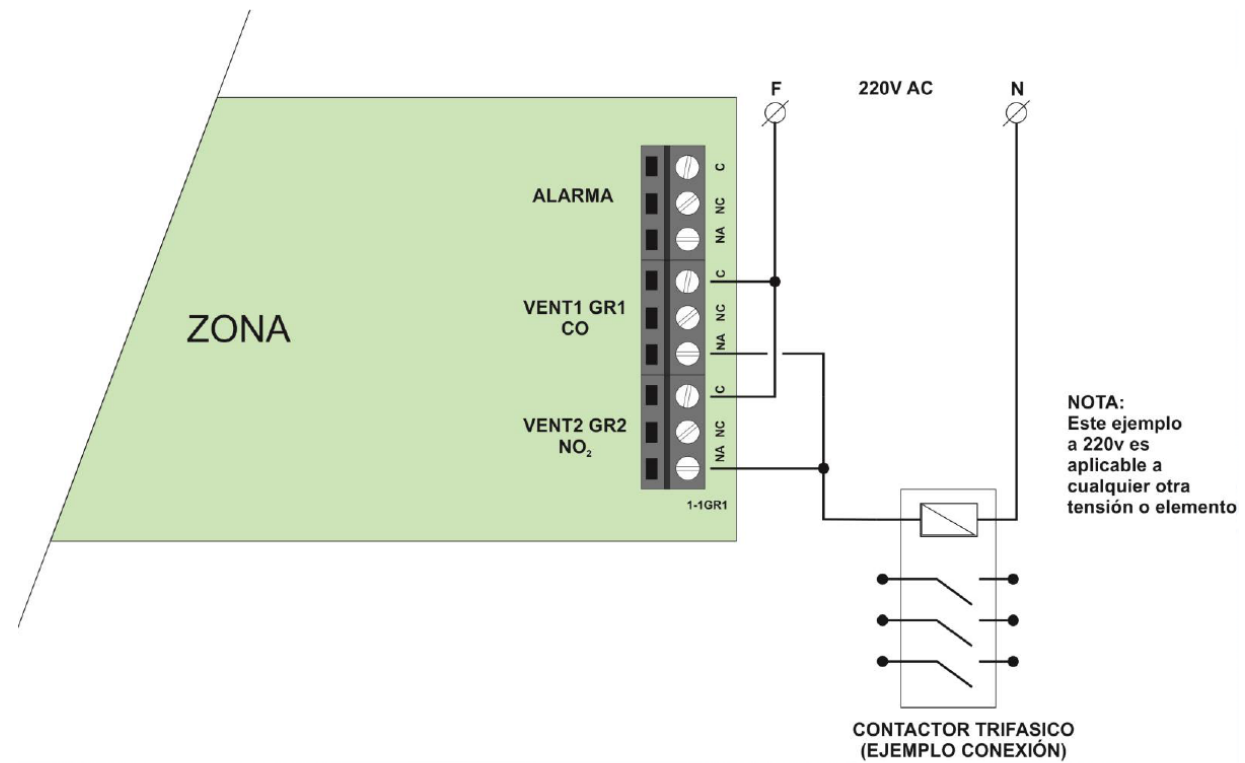
CONTROL UNIT

CONFIGURATIONS

CONNECTIONS

DETECTORS

PARALLEL CONNECTION OF CO & NO₂ RELAYS TO A SINGLE ACTUATION



CONTROL UNIT

CONFIGURATIONS

CONNECTIONS

DETECTORS

DURPARK



CO DETECTOR



NO₂ DETECTOR

CO & NO₂ DETECTORS USING LOW COST ELECTROCHEMICAL SENSOR

- CO detectors have been provided of a new type of electrochemical sensor without electrolyte.
- Useful life of up to 5 years (CO) and 3 years (NO₂) with almost no maintenance.
- Two addressable models available: CO with measuring range of 0-300 ppm and a resolution of 1 ppm / NO₂ with measuring range of 0-20 ppm and a resolution of 0,5 ppm.
- Three wire connection up to a maximum installation distance of 500m.
- Simple and automatized calibration and maintenance procedures. Software is included, with algorithms that interacts with the detectors and module line to automatically calibrate gain and zero.
- Special hardware and software that allow verifying the sensitivity of the CO sensor without the need to apply gas.
- Low sensitivity to interfering gases.



DURAN[®]
electrónica



FS82426