



The DURLUM 4-20mA measures the luminance or luminous intensity ( $\text{cd/m}^2$ ) of a focused surface. Its main application is the illumination control in outdoor installations.

It is specially indicated for tunnel illumination control in order to avoid "black hole" phenomenon.

The 4-20mA signal output is provided in the same power supply cable offering an easy installation wiring.

Based on a Si-photoelement, offers a sensitivity close to the visible light.

Has a high grade protection for outdoor use and solid construction in stainless steel.

## CHARACTERISTIC

- Reliable and precise surface luminance measuring, both in outdoor and indoor conditions.
- 4-20mA current loop output through same supply cable
- Easy to install and position.

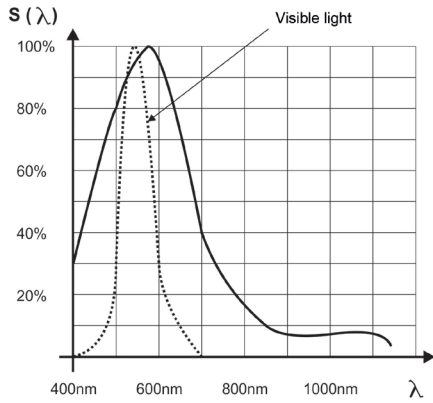
## APPLICATIONS

- Illumination control inside tunnels

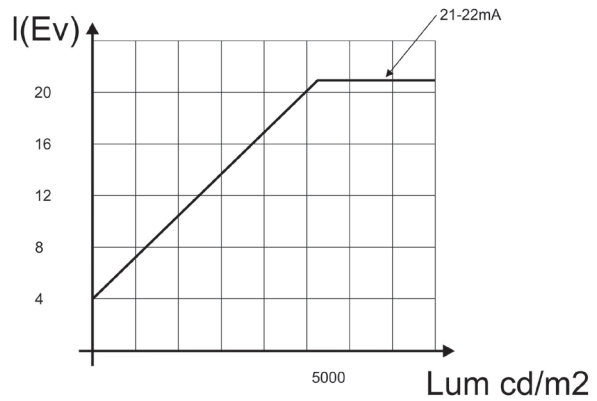
### TECHNICAL SPECIFICATIONS

Parameters	
Power supply	12-30 Vdc ( $\pm 10\%$ )
Signal output	4-20mA
Luminance range	0-6500 $\text{cd/m}^2$
Angular field	20°
Linearity	< 2%
Precision	< $\pm 5\%$ FS
Spectral sensitivity	Máx. En 570nm
Sealing	IP67
Enclosure material	Stainless steel
Operating temperature	-30° C to +70° C
Storage temperature	-55° C to +80° C
Humidity	30% - 80% no condensation
Connection	2m. Cable

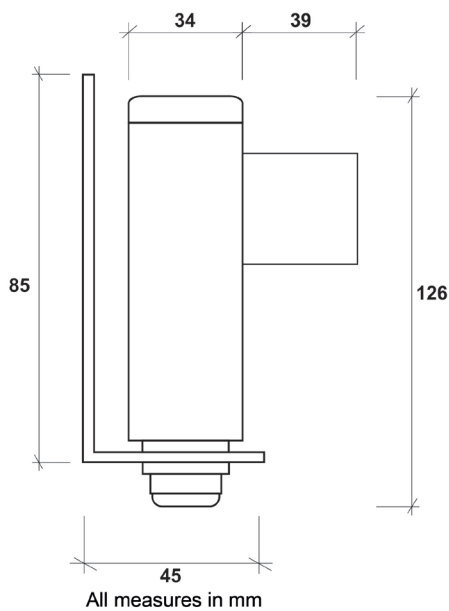
## Sensitivity



## Output



## Dimensions



## Connections

