



The DURLUX-T 4-20mA measure the ambient illuminance -lux- and converts it to a current loop signal.

The 4-20mA signal output is provided in the same power supply cable offering and easy installation wiring.

Based on a Si-photoelement, offers a sensitivity close to the visible light.

Specially indicated for outdoor installations, this luxometer is solid and stable.

Has a high grade protection for outdoor use and solid construction in stainless steel.

CHARACTERISTICS

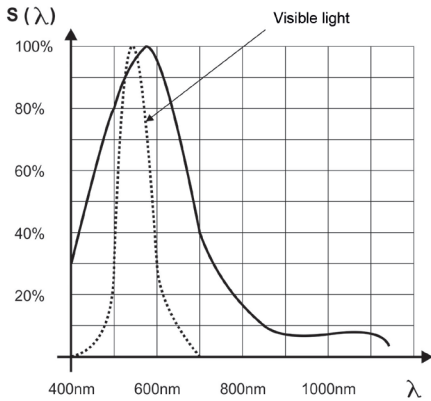
- Reliable and precise measuring of ambient illumination level both in indoor and outdoor.
- 4-20mA current loop output through same supply cable.
- Easy to install and position.
- Various ranges of illumination measuring in a single device.

APPLICATIONS

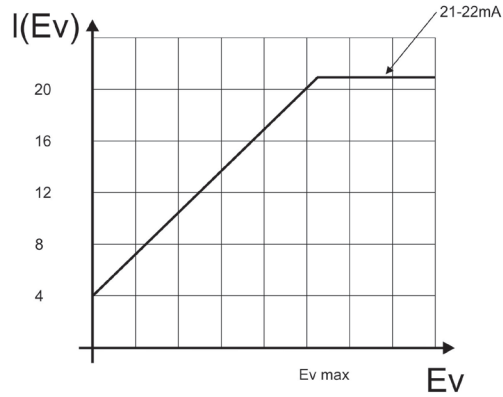
- Illumination control inside buildings.
- Illumination control inside workhouse.
- Blinds control.
- Greenhouse windows control.
- Large surfaces illumination control.

TECHNICAL SPECIFICATIONS	
Parameters	
Power supply	12-30 Vdc (\pm 10%)
Signal output	4-20mA
Illuminance range	Selectable range 0-100 lux, 0-250 lux, 0-500 lux, 0-750 lux, 0-1000 lux, 0-2000 lux, 0-4000 lux
Linearity	< 1%
Precision	$\pm 5\% \text{ FS (0-100 lux)}$, $\pm 5\% \text{ FS (0-250 lux)}$, $\pm 5\% \text{ FS (0-500 lux)}$, $\pm 5\% \text{ FS (0-750 lux)}$, $\pm 5\% \text{ FS (0-1000 lux)}$, $\pm 5\% \text{ FS (0-2000 lux)}$ $\pm 5\% \text{ FS (0-4000 lux)}$
Spectral sensitivity	Max. At 570nm
Sealing	IP67
Enclosure material	Stainlees steel
Operating temperature	-30° C to +60° C
Humidity	30% - 80% no condensation
Connections	2m Cable

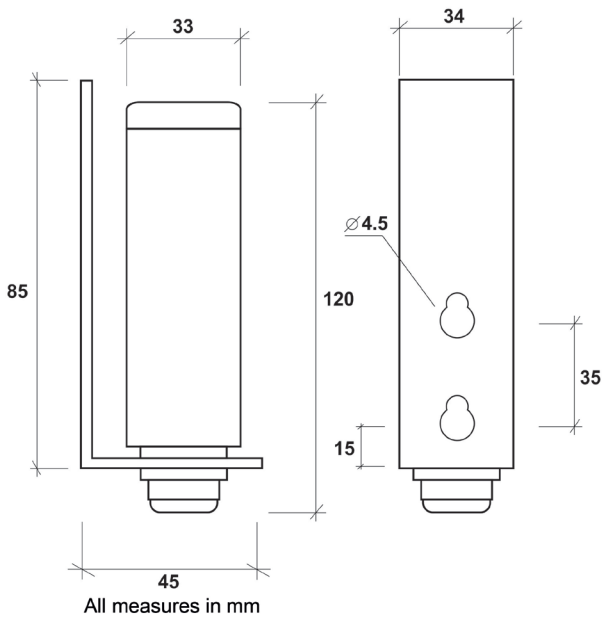
Sensitivity



Output



Dimensions



Connections

