



LDADS60TNS01

4" Wall Mount Loudspeaker
with Metal Back Box



0359

0359-CPR-00241

DoP No.: CPR-DoP-2013001

Thank you for purchasing LDA LDADS60TNS01. Widely used in commercial buildings and public facilities, LDA product is manufactured in strict accordance with ISO 9001 standards. Please read this manual before installation and follow all instructions.

Technical specifications

Electrical

Max power	9 W
Rated power	6 W
Power tapping	6 W / 3 W / 1.5 W / 0.75 W
Sensitivity (1W/4m, 100Hz~10kHz)	79 dB
SPL(1W/1m, 100Hz~10kHz)	91 dB
SPL(6W/4m, 100Hz~10kHz)	86 dB
Frequency response (-10 dB)	300 Hz ~ 15k Hz
Rated input voltage	100 V / 70 V
Rated impedance	1.7k Ω / 3.3k Ω / 6.7k Ω / 13k Ω
Connection	Ceramic terminal

Mechanical

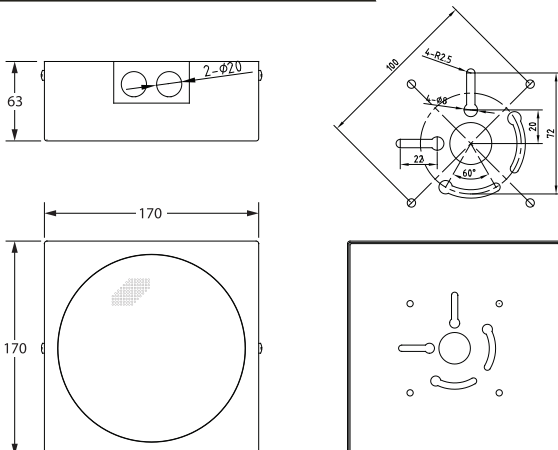
Dimensions	170 mm x 170 mm x 63 mm
Weight	1.56 kg
Color	RAL9003
Speaker size	4"

Environmental

Operating temperature	-25°C to +55°C
Storage temperature	-40°C to +70°C
Relative humidity	<95%

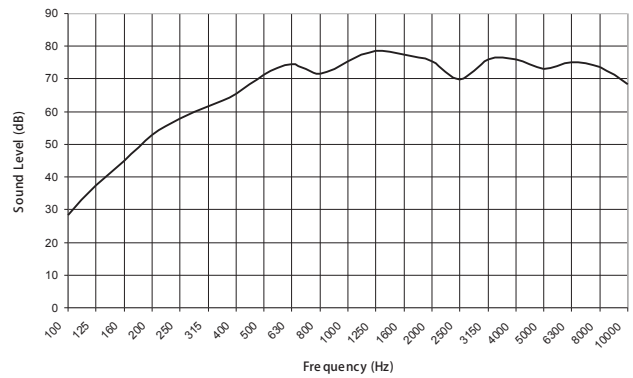
- * The reference axis is perpendicular to the centre point of the front grill
- * The reference plane is perpendicular to the centre of the reference axis
- * The horizontal plane is perpendicular to the centre of the reference plane
- * The spec/data was measured using standard baffle mounting in an anechoic chamber as described in EN54-24

Front and back views

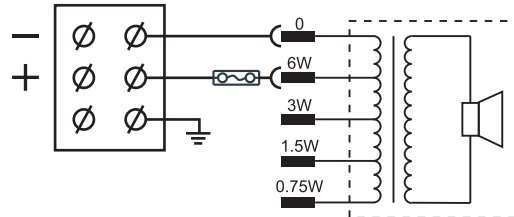


Unit: mm

Frequency Response at 100 volt/4m, 1/3 oct smoothing



Frequency response



Circuit diagram

With transformer:
100V/70V line

	Red wire plus tapping				Black
100V	0.75W	1.5W	3W	6W	Com
70V	0.375W	0.75W	1.5W	3W	Com
IMP(Ω)	13K	6.7K	3.3K	1.7K	

Dispersion angles

		Horizontal	Vertical
1 oct. pink noise	500 Hz	226°	226°
1 oct. pink noise	1K Hz	175°	174°
1 oct. pink noise	2K Hz	85°	88°
1 oct. pink noise	4K Hz	96°	85°

Installation

- Attach the cabinet to flat surface.
- Fix the cabinet with screws.
- Select desired power and attach the front panel to the cabinet.
- Fix the front panel to the cabinet with screws.